

Montage- und Bedienungsanleitung

Infrarotkabine & Finnische sauna: J30130



FOREWORD

Thank you for purchasing our product!

Please read this manual carefully before assembly and save it.

Write down the Serial number of your sauna on Warranty card on the back cover,
it will be very helpful for our after services.

the Serial number is together with nameplate on outside of sauna rear panel.

1. SAFTY INSTRUCTION

1.1 WARNING

- (1) The sauna must be placed indoors and in a dry condition,
- (2) Sauna heaters must not be sprayed with water,
- (3) Do not take a shower or spray water inside the sauna,
- (4) Do not cover the heaters with towels or clothes to prevent overheating and fire,
- (5) Do not touch the heaters during and shortly after use, there is a risk of burns due to hot parts,
- (6) Installation and repair should be carried out by a qualified electrician.
- (7) The sauna should be switched off and needs a break at the latest 30 minutes after 2 hours's working.

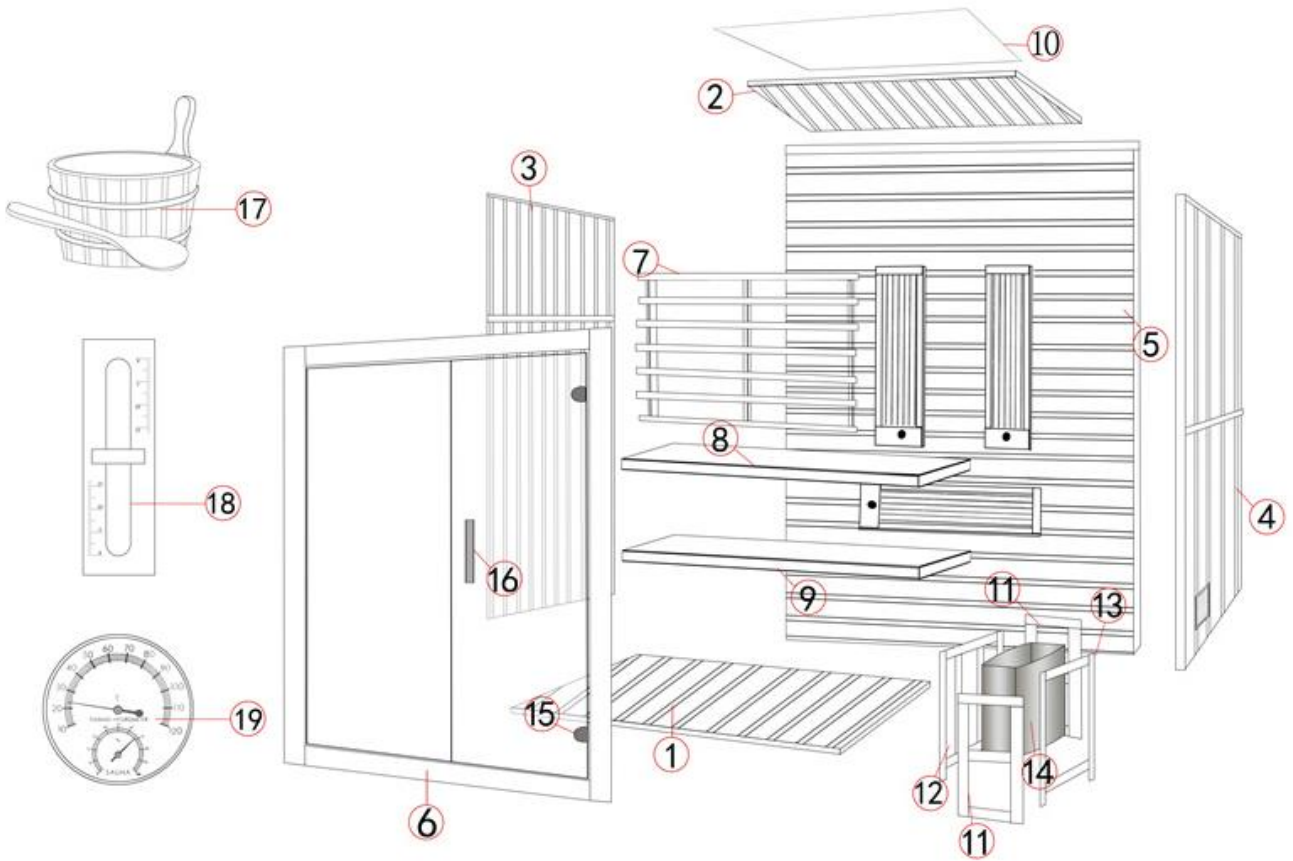
1.2 CAUTION

- (1) Consult a doctor before using the infrared cabin, when you are suffering from an illness or other health problems, especially heart disease or circulatory disorders, or taking medicine.
- (2) Pregnant women and infants prohibited,
- (3) Children over 6 years old can only use the sauna under the supervision of adults,
- (4) If you feel uncomfortable when using the infrared cabin, stop immediately and contact your doctor.



2. TECHNICAL DATA

Modell	J30130	
Kabinenmaterial	Hemlock -Holz	
Länge	1300 mm	
Breite (Tiefe)	1200 mm	
Höhe	2000 mm	
Spannung	230V/380V, 50HZ	
Strahler	Gesamtleistung	3.5kW + 1000W
	Full spectrum heater	2 x 300W, 1 x 400W
	Harvia ofen	3.5kW

3. PARTLIST



NO.	NAME	QTY
1	Floor panel	1
2	Ceiling panel	1
3	Left panel	1
4	Right panel	1
5	Rear panel	1
6	Front panel	1
7	Backrest	1
8	Upper bench	1
9	Lower bench	1
10	Roof cover	1
11	Fence panel A	2
12	Fence panel B	1
13	Fence panel C	1
14	Sauna oven	1
15	Hinge	2
16	Door handle	1
17	Bucket & Ladle	1
18	Thermometer	1
19	Sand timer	1
20	Sauna stone	1

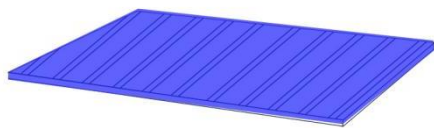
21	Glass seal		1
22	Screw M3.5*40		15

4. MONTAGEANLEITUNG

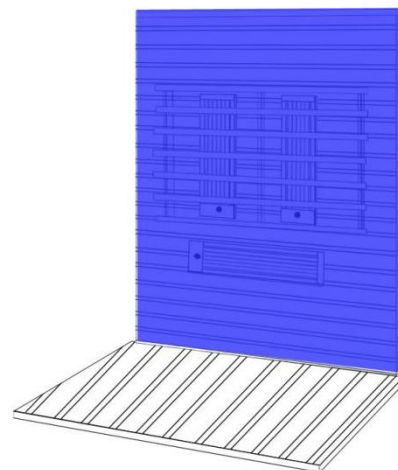
4.1 INSTALLATION SITE

- (1) The flat and firm ground indoor,
- (2) dry and moisture-resistant,
- (3) 230V or 400V power supply with ground wire.

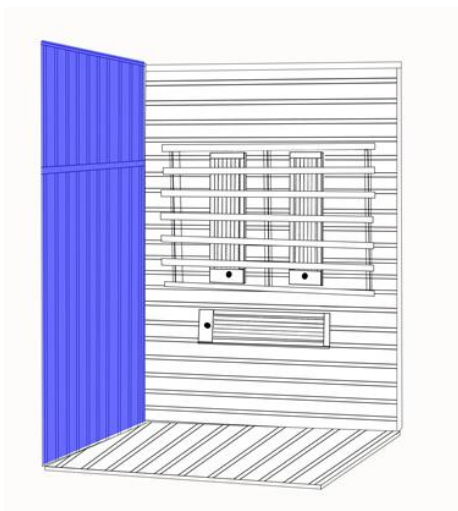
4.2 ASSEMBLY STEPS



(1) Place Floor panel on the ground.

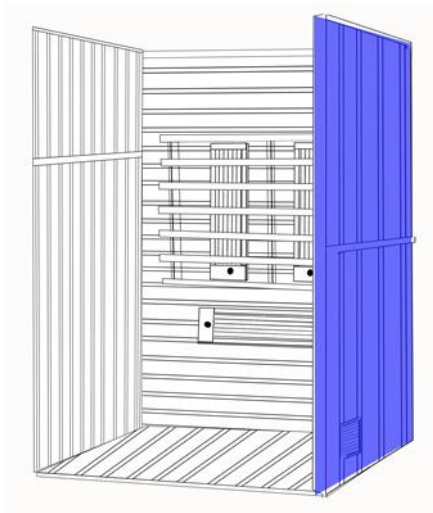


(2) Put Rear panel next to the Floor panel.

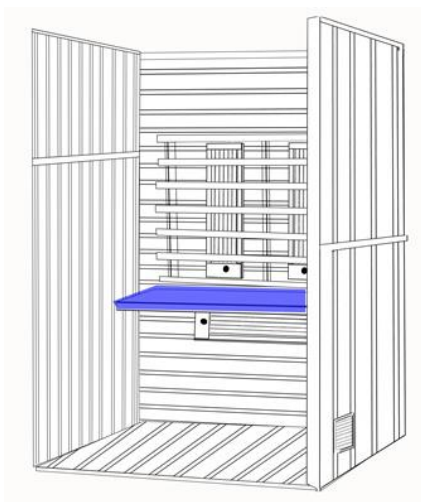


(3) Put Left panel next to Floor panel, and connect it to Rear panel properly with preset Outside buckles.

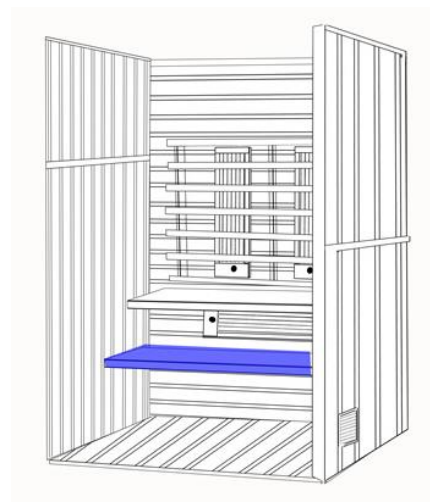




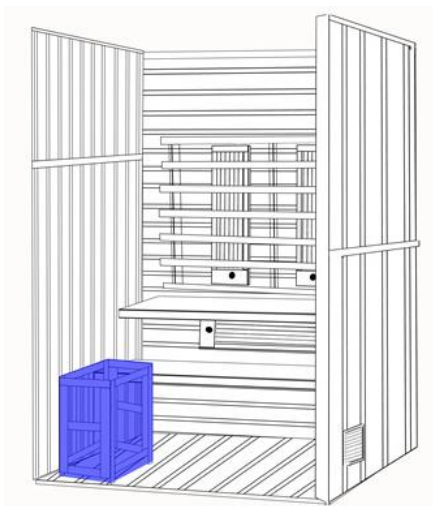
(4) Put Right panel next to Floor panel, and connect it to rear panel properly with preset Outside buckles.



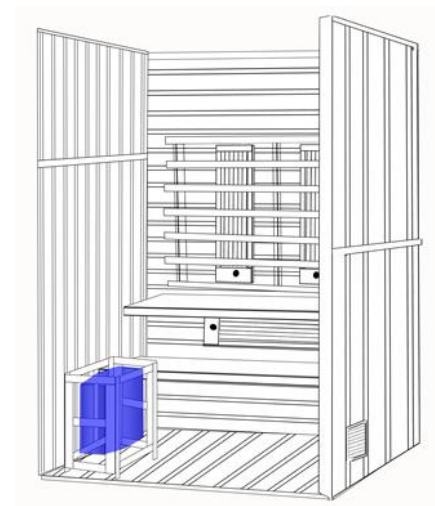
(5) Place Upper bench on the preset-battens of installed panels,



(6) Place Lower bench on the preset-battens of installed panels,



(7) Install oven fence by Screws M3.5*40.



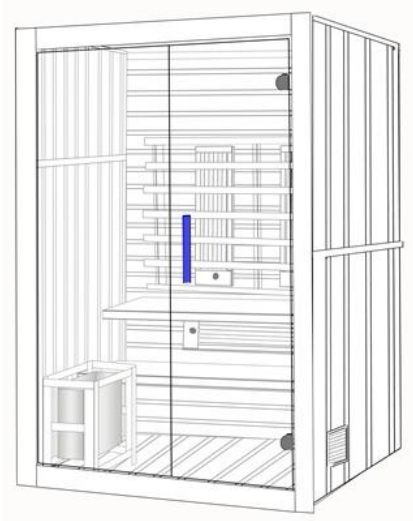
(8) Install sauna oven on the fence according to oven manual.



(9) install Front panel to Left panel and Right panel with preset outside buckles.



(10) Place Ceiling panel onto the installed walls



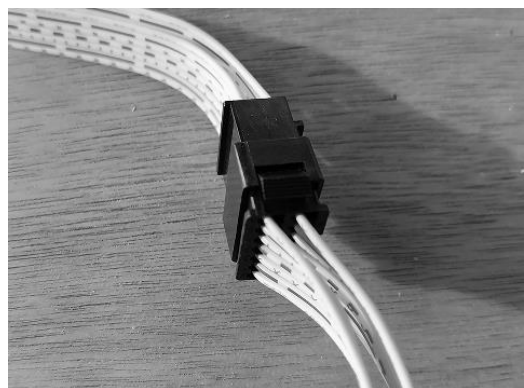
(11) Install Door handle.

4.3 CABLE CONNECTION

All cables are on the ceiling panel:

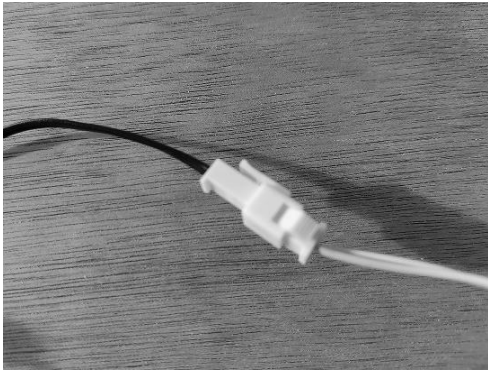


(1) Plug in the connectors of heater cables, make sure the cables not pinched between

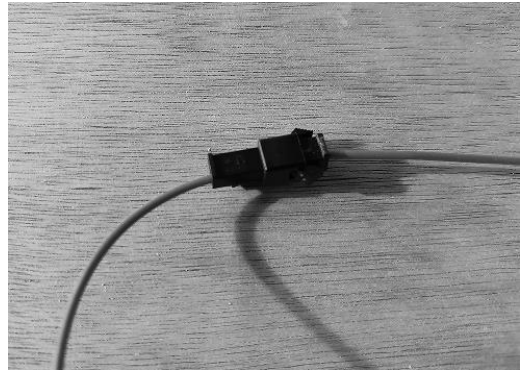


(2) Plug in the connector of control cables.

ceiling panel and other panels.

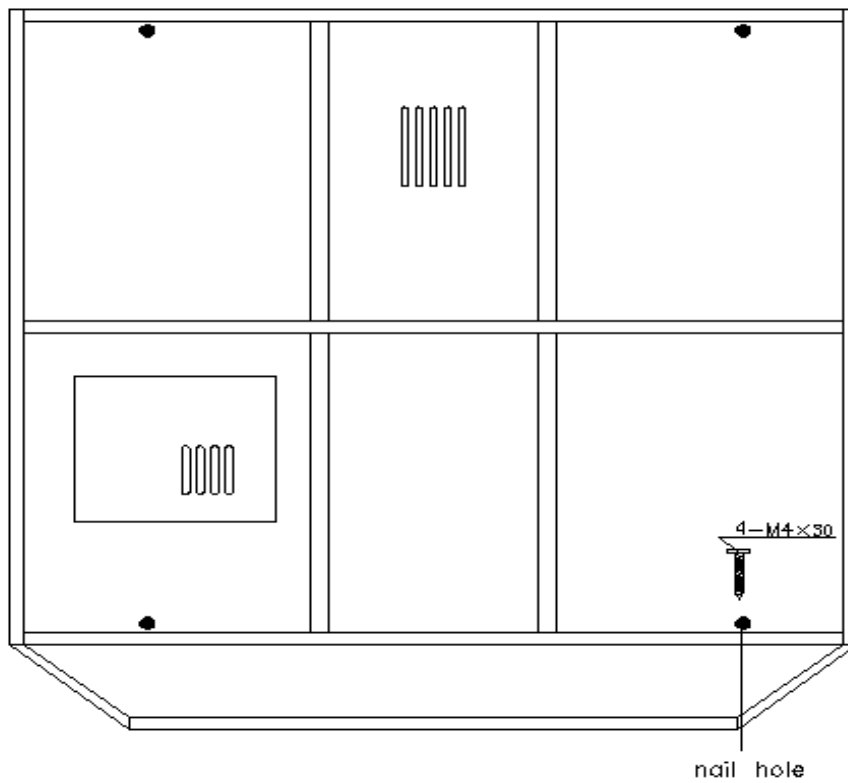


(3) Plug in the connector of temperature sensor.



(4) Plug in the connector of antenna cable.

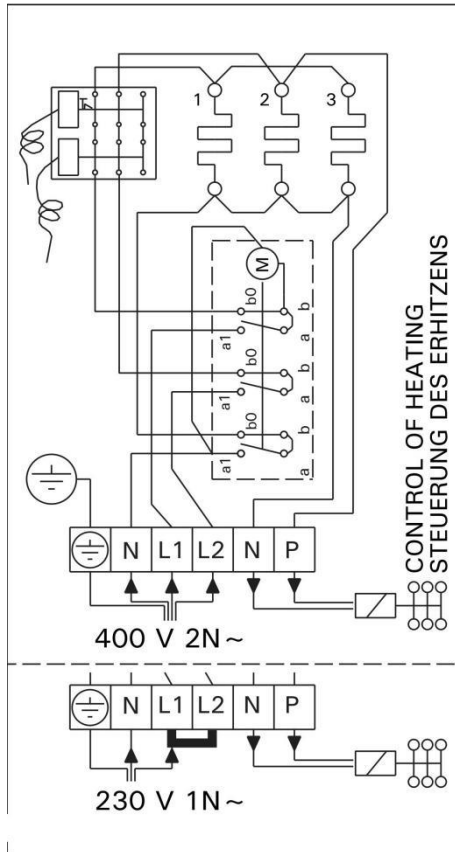
4.4 INSTALL DUST COVER



Install the dust cover with screws on roof

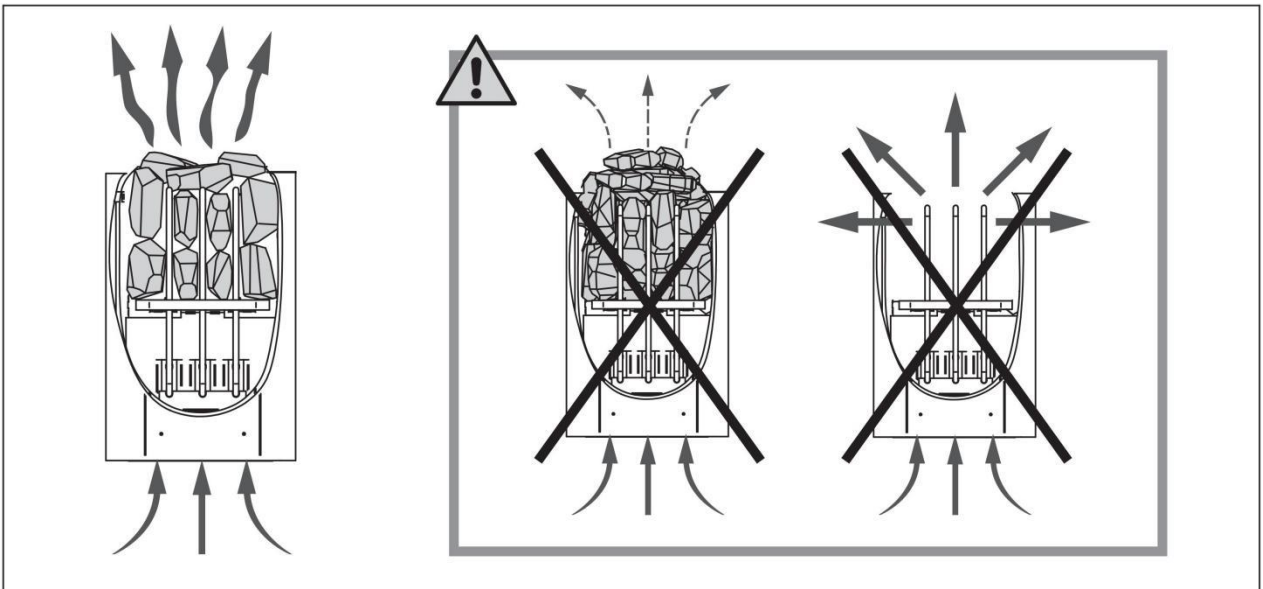
4.5 Oven cable connection

- (1) Use the rubber cable for the oven: type H07RN-F or its equivalent.
- (2) please read the oven manual carefully before oven cable installation.
- (3) Install the oven cable by an electrician.



4.6 Sauna stone

- (1) Wash the sauna stones to make them clean before using.
- (2) Piling the sauna stones in correct way according to oven manual:



4.7 Sauna accessories

- (1) Install thermometer and sand timer on the inside wall.
- (2) Place the bucket and ladle as your wish.

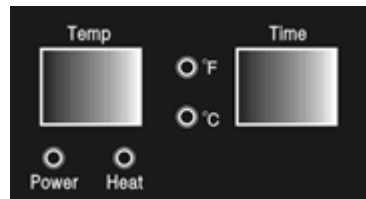
5. BEDIENUNGSANLEITUNG



CONTROL PANEL

5.1 TWO DISPLAY SCREENS:

- (1) Left screen: Real-time temperature
- (2) Right screen: Time remaining



5.2 FOUR LED INDICATORS:

- (1) Power indicator: Power on
- (2) Heat indicator: Sauna heating
- (3) F indicator: Fahrenheit degree
- (4) C indicator: Centigrade degree

5.3 TEN KEYPADS:

(1) **POWER**  : sauna on/off,



(2) **LIGHT**  : inside/outside lights:



- Press it to turn the inside light on,
- then press it to turn the inside light off, and turn the outside on,
- then press it to turn the inside/outside light on,
- then press it to turn the inside/outside light off.

(3) **COLOR LIGHT**  : color therapy light:



- Press it to turn the color light on/off,
- when the color light is on, press “color light” keypad for 2 seconds, the temperature display screen shows “LX” (X for 1-9),
- then press the keypad again to change the color light and status.

(4) **TEMPERATURE**  and  :

-Press the keypad  or  to increase or decrease the temperature by 1 degree at a time, keep pressing it for quick-adjusting.

-Press the keypad  and  at the same time to convert temperatures between Fahrenheit and Celsius.

(5) **TIME**  and  :

-press they keypad  or  to increase or decrease the time by 1 minute at a time, keep pressing it for quick-adjusting.

- in state of MODE, press Keypad  and  to adjust volume.

(6) **MODE**  :

Press it to select the mode of radio, Bluetooth and USB, Bluetooth device number is BT301

(7) **PLAY/PAUSE**  :

- in mode of Radio: press it for 3 seconds to search for and stock radio channels automatically, when the searching is over, press it to next channel,
- in mode of Bluetooth/USB: press it to next music.

(8) **MUTE**  :

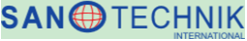



- in mode of FM: press it for mute,
- in mode of Bluetooth and USB: press it for pause.

6. SERVICES

6.1 MAINTENANCE

- (1) Clean the cabin with a damp cotton cloth and dry with a clean and dry towel,
- (2) Clean the glass with a window/glass cleaner and a soft cloth,
- (3) Do not pour water into the control panel or clean it with a damp cloth,
- (4) Do not use chemical cleaning agents to clean the cabin,
- (5) Please tighten the screws of the bench every three months, avoid loosening or falling.

6.2 GARANTIEKARTE

Infrarotkabine: J30130 Nennspannung: 230V/400V Nennfrequenz: 50Hz Gesamtleistung: 3.5kW (1000W for infrared heater) Holz: Hemlock Strahler: Sauna oven (Full spectrum heater)	   
---	--

Fill out this form and take a picture of it,
 then email the picture of completed form and defective part of your sauna to our after service department:

Name:	
Phone Number:	
Purchasing date:	
Sauna serial number:	
Item status:	<input type="checkbox"/> Unopened <input type="checkbox"/> Just opened <input type="checkbox"/> First start <input type="checkbox"/> Used for long time