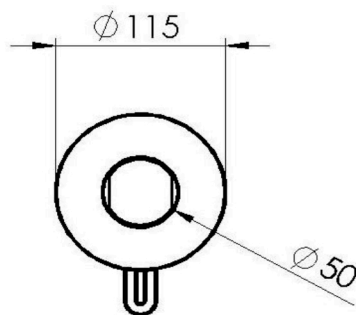
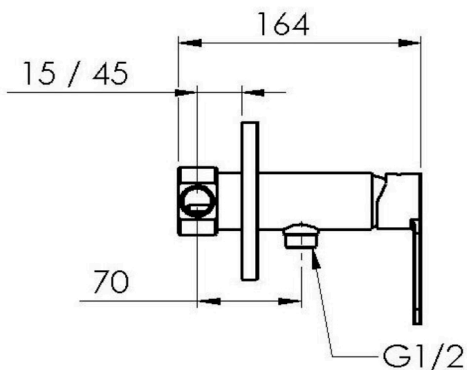




hadice

flessibile / flexible 120 cm



STUDENÁ
FREDDA
COLD G1/2

TEPLÁ
CALDA
HOT G1/2

PRŮTOK / PORTATA / FLOW RATE = 8 l/min

1103-07